



DECOLAV®

MODEL NUMBER: 2550 SERIES

PRODUCT DESCRIPTION

Wall Mounted Lavatory Console

- Solid wood frame with polished stainless accents
- 8" faucet drilling
- Square vitreous china lavatory
- Solid shelf provides additional storage space
- Kit includes wall mounted shelf with 3 glass shelves and mirror wood border



PRODUCT MEASUREMENTS

- Width: 24 inches (60.96 cm)
- Depth: 20 inches (50.8 cm)
- Height: 34 inches (86.36 cm)

RECOMMENDED ACCESSORIES

- DECOLAV® 9295 Grid Drain or
- DECOLAV® 9297 Push Button Closing Umbrella Drain
- DECOLAV® 9100 Bottle Trap

THANK YOU

Dear Valued Customer,

DECOLAV® would like to take this opportunity to thank you for your purchase – It is our sincere hope that you are completely satisfied with your new product. We welcome and look forward to helping you create another unique look for your next bathroom project.

Prior to installation, please take a moment to review all provided materials and hardware. For assistance with your new product, please contact our dedicated DECOLAV® customer service staff.

Sincerely,

Robert H. Mayer
Chief Executive Officer and President



DECOLAV®

CHANGING THE WAY YOU VIEW THE BATHROOM®

BEFORE YOU BEGIN

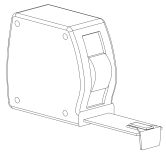
1. Prior to installation, unpack your new DECOLAV® product and inspect it. Keep the product in its original package until you are ready to install it.
2. The wall must be square, plumb and level.
3. Shut the water supply off when replacing an existing fixture. Preparation of the floors and walls, including all additional wall supports, may be required.
4. **Observe all local plumbing and building codes.**
5. It is recommended that this installation be done with a minimum of two people. Do not install this fixture alone.

Customer Service: 561-274-2110
www.decolav.com

LET YOUR DREAMS COME ALIVE, YOUR PASSIONS
BECOME REALITY, BE THE ENVY OF YOUR NEIGHBORS®



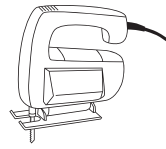
RECOMMENDED TOOLS



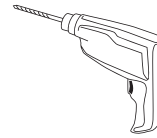
Tape Measure



Pencil



Scroll Saw



Drill



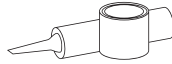
Level



Adjustable Wrench



Pipe Wrench



Plumber's Putty or
Caulking



Putty Knife

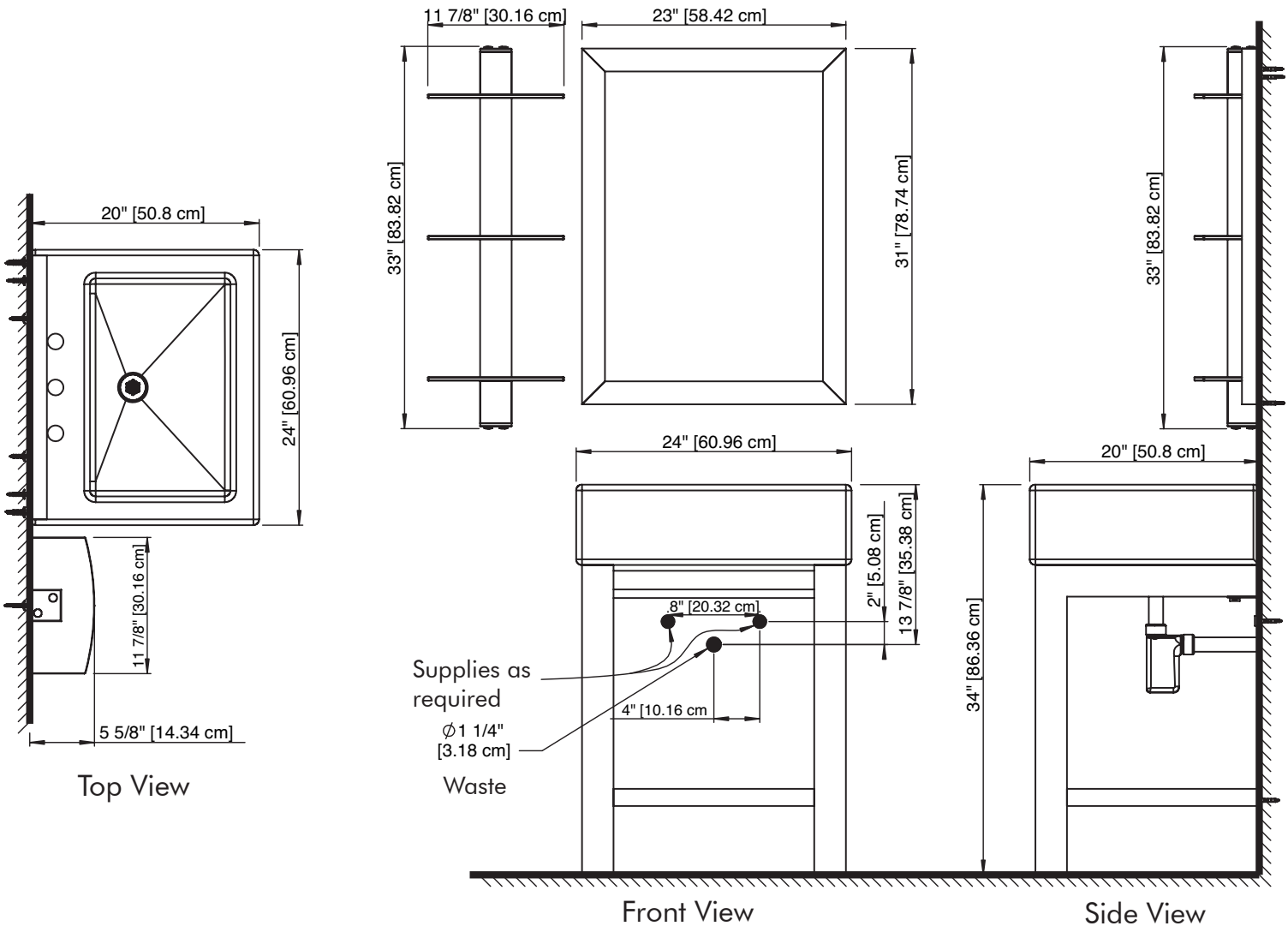


Flathead
Screwdriver



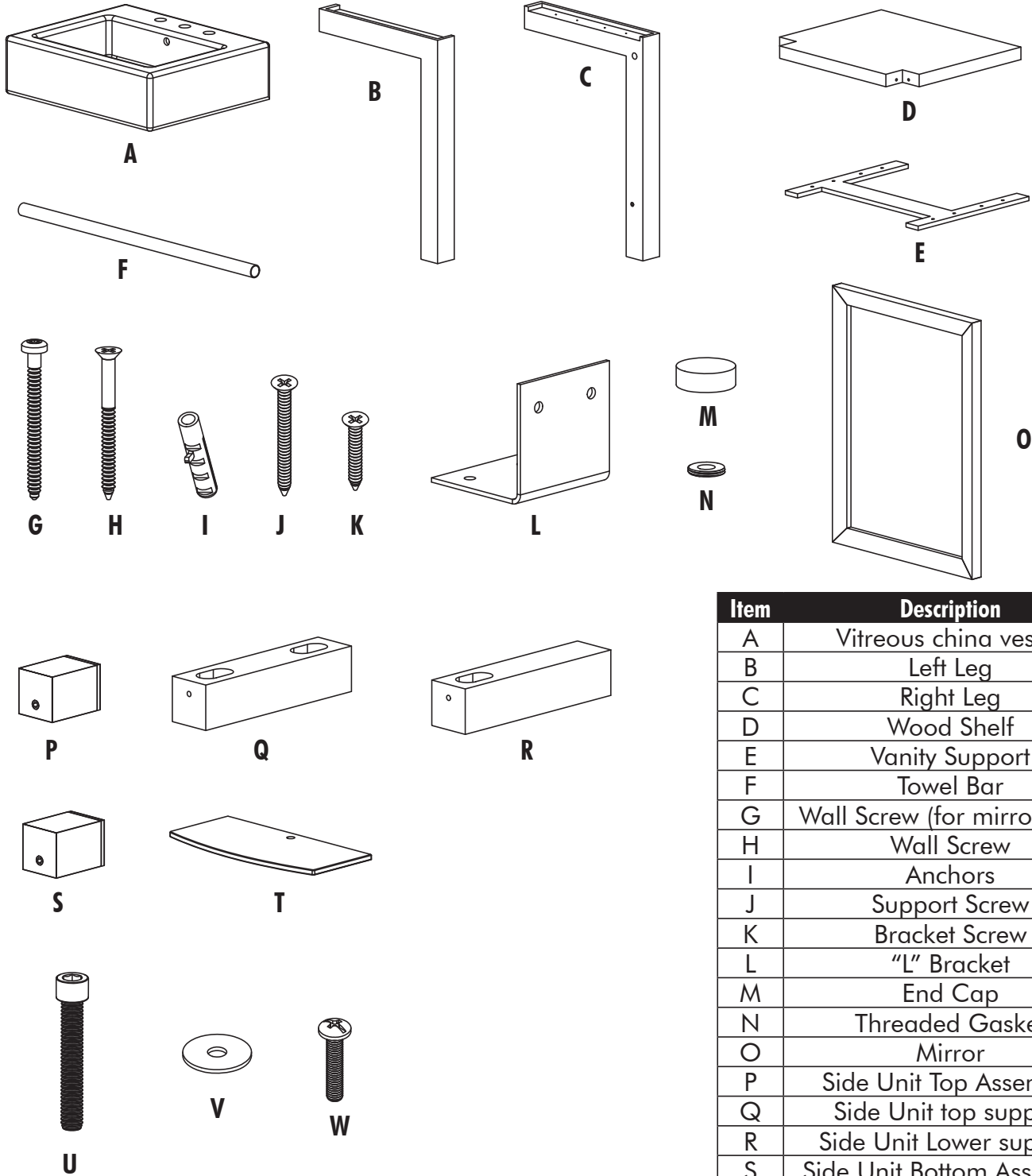
Phillips
Screwdriver

ROUGHING-IN DIMENSIONS





PARTS



Item	Description	Qty
A	Vitreous china vessel	1
B	Left Leg	1
C	Right Leg	1
D	Wood Shelf	1
E	Vanity Support	1
F	Towel Bar	1
G	Wall Screw (for mirror only)	2
H	Wall Screw	8
I	Anchors	10
J	Support Screw	8
K	Bracket Screw	4
L	"L" Bracket	2
M	End Cap	8
N	Threaded Gasket	8
O	Mirror	1
P	Side Unit Top Assembly	1
Q	Side Unit top support	1
R	Side Unit Lower support	1
S	Side Unit Bottom Assembly	1
T	Glass Shelf	3
U	Socket Cap Screw	3
V	Washer	2
W	Shelf Screw	4

**INSTALLATION INSTRUCTIONS**

Decolav recommends that installation of this unit takes place on a soft non-abrasive, scratch resistant surface to prevent damage.

• STEP #1

- Decolav recommends installation from left to right.
- Insert **Towel Bar (F)** in **Left Leg (B)**, then attach **Wood Shelf (D)** using **Shelf Screws (W)** as shown in Figure 1.

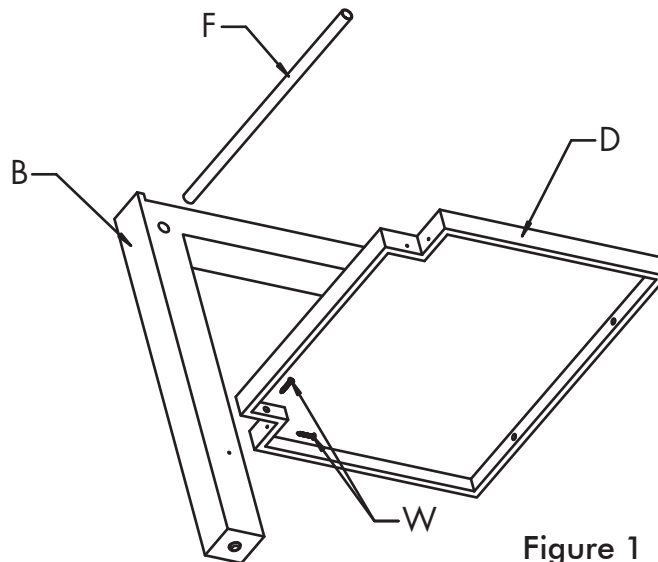


Figure 1

• STEP #2

- With assistance, attach **Right Leg (C)** to the assembled parts using the **Shelf Screws**.
- Refer to Figure 2.

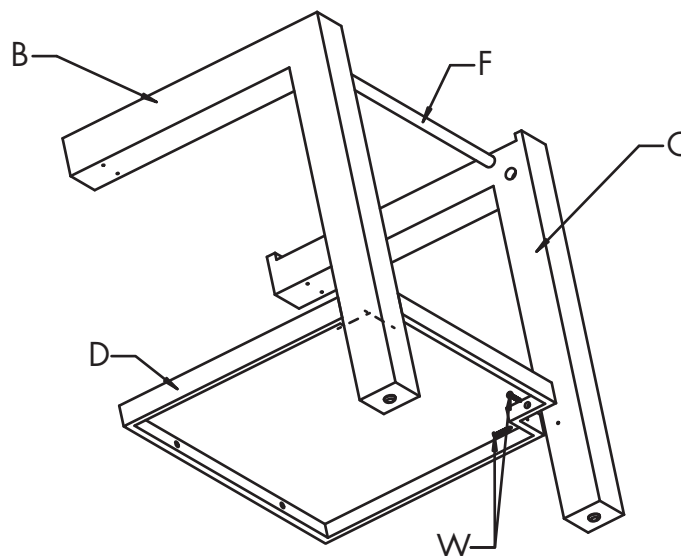


Figure 2



INSTALLATION INSTRUCTIONS

• STEP #3

- Using **Support Screws (J)** attach **Vanity Support (E)** to unit.
- Refer to Figure 3. (Make sure cross bar is at the front of console).

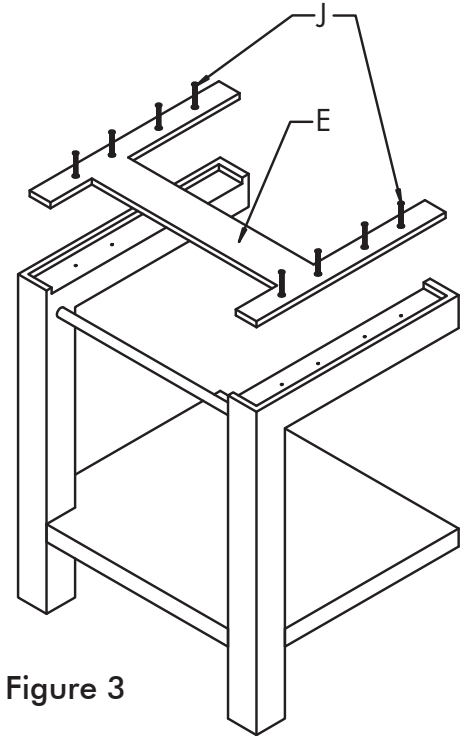


Figure 3

• STEP #4

- With assistance attach **"L" Bracket (L)** to bottom side of **Legs** using **Bracket Screws (K)** with **Threaded Gasket (N)** and **End Cap (M)**.
- Refer to Detail 1.

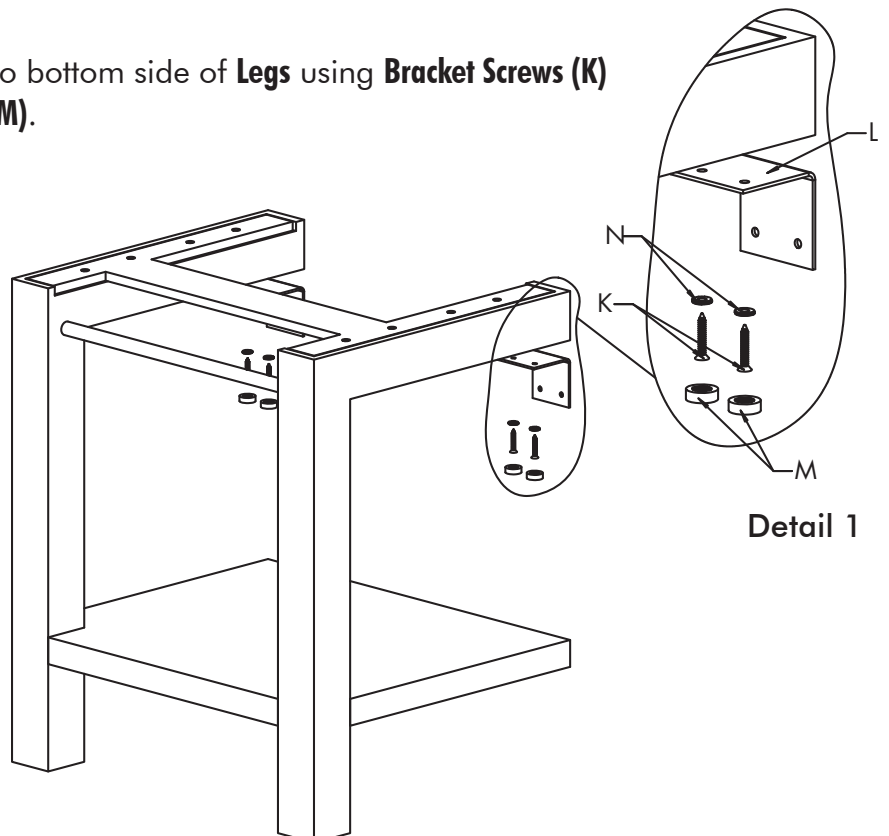


Figure 4



INSTALLATION INSTRUCTIONS

• STEP #5

- Carefully with the help of a partner, place unit at desired location.
- Level and square unit. **Mark Wall Screw (H)** locations on wall through **"L" Brackets** mounting holes and **Wood Shelf** mounting holes.
- Refer to Figure 5.
- Remove unit from installation position.
- Drill holes, insert **Anchors (I)**, and attach unit to wall using **Wall Screws** through **Threaded Gaskets**, covering with **End Caps (M)**.
- Refer to Detail 2.
- Attach **Wood Shelf (D)** to wall using **Wall Screws**.
- Refer to Detail 3.

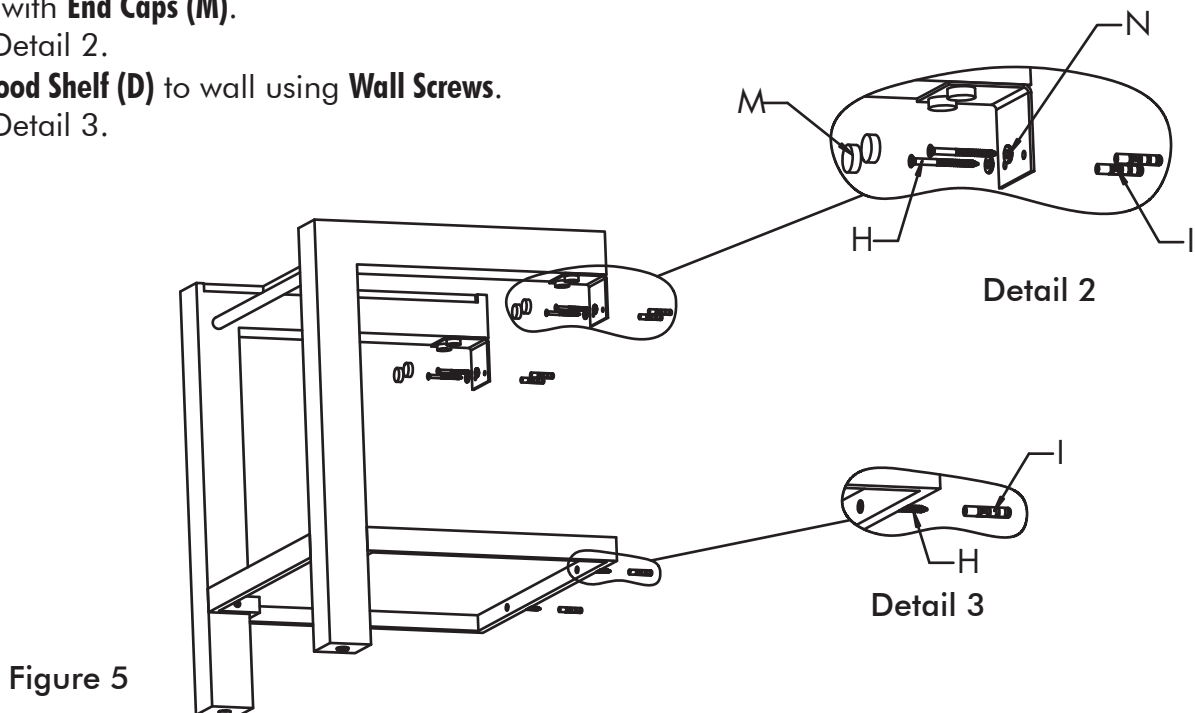


Figure 5

• STEP #6

- Place **Vessel (A)** on base, center and level. Mark **Wall Screw** locations through Vessel mounting holes.
- Remove **Vessel** from installation position.
- Drill holes, insert **Anchors**, and attach **Vessel** to wall using **Wall Screws** through **Washer (V)**.
- Refer to Figure 6.

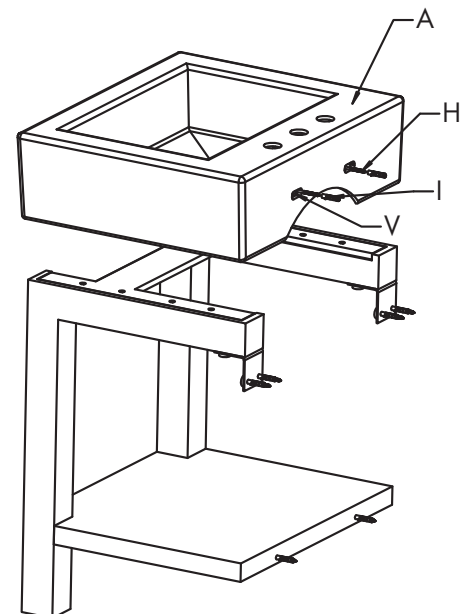


Figure 6



INSTALLATION INSTRUCTIONS

• STEP #7

- **NOTE: DRAIN SHOWN, DECOLAV® 9297 PUSH BUTTON CLOSING UMBRELLA DRAIN, IS A RECOMMENDED ACCESSORY AND NOT INCLUDED.**
- Install drain according to manufacturer's installation instructions.
- **NOTE: DO NOT OVERTIGHTEN DRAIN.**
- Refer to Figure 7.

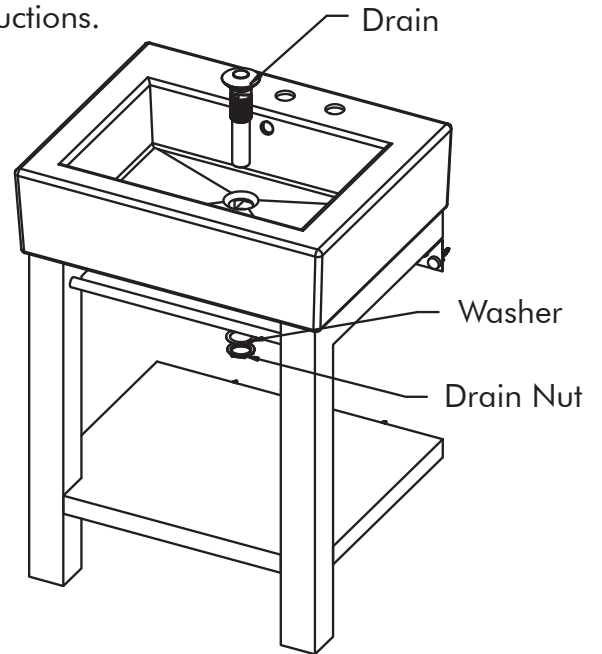


Figure 7

• STEP #8

- **NOTE: WASTE SYSTEM SHOWN, DECOLAV® DECORATIVE BOTTLE TRAP IS A RECOMMENDED ACCESSORY AND NOT INCLUDED.**
- Install waste system according to manufacturer's installation instructions.
- Refer to Figure 8.

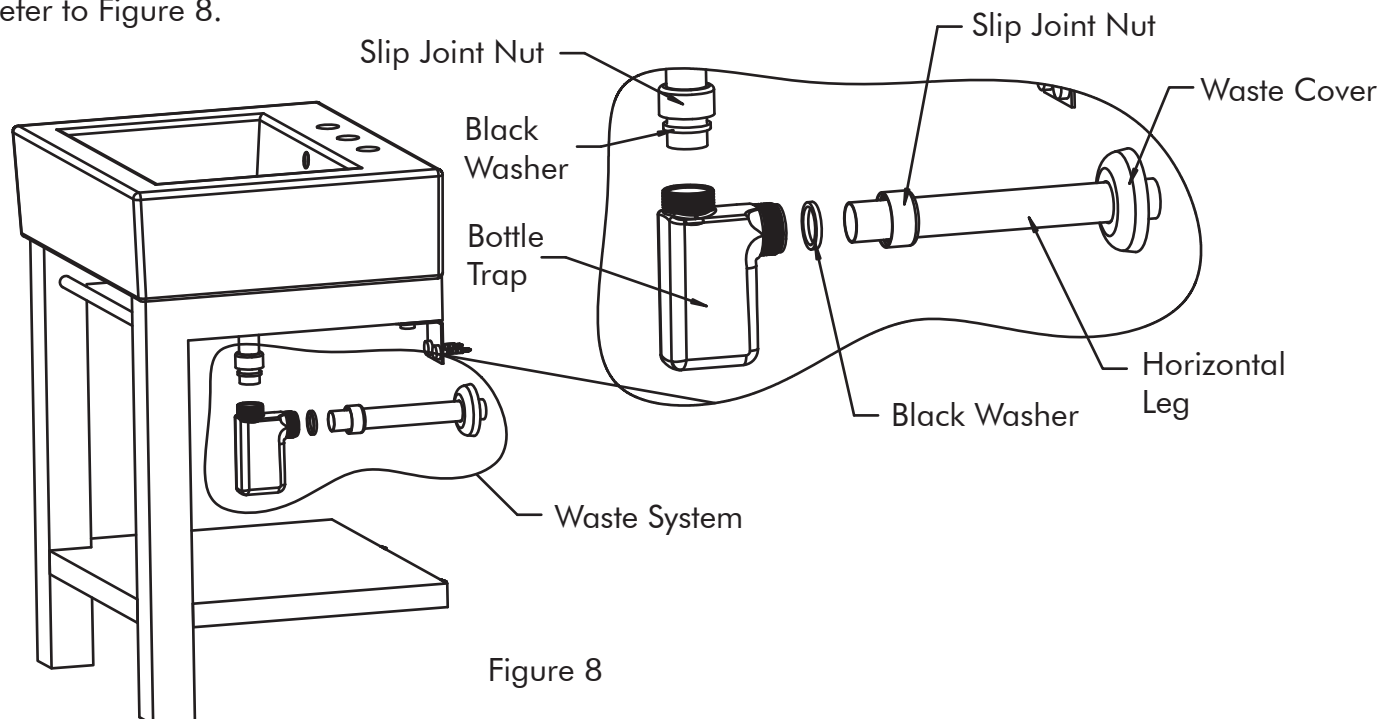


Figure 8



INSTALLATION INSTRUCTIONS

• STEP #9

- Install faucet and water supply according to manufacturer's installation instructions.
- **NOTE: FAUCET AND WATER SUPPLY NOT INCLUDED.**
- Check for leakage.

• STEP #10

- Prepare wall by drilling, then inserting Anchors at desire mounting location of **Mirror (O)**.
- Refer to Roughing-in Dimensions for Mirror measurements.
- Attach **Wall Screw (H)** to anchor leaving approximately 3/8" (0.95 cm) of screw revealed.
- Hang **Mirror** as shown.
- Refer to Figures 9 and 10.

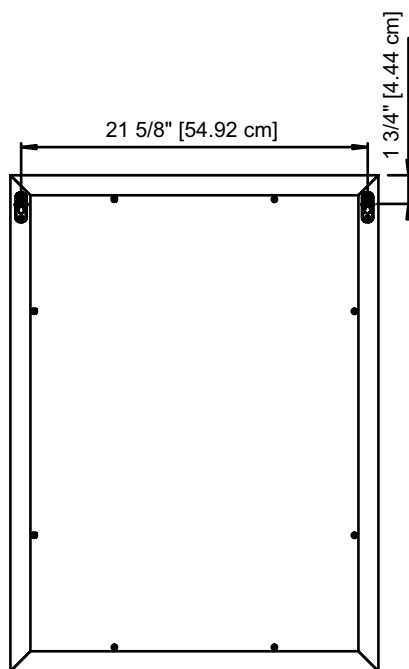


Figure 9

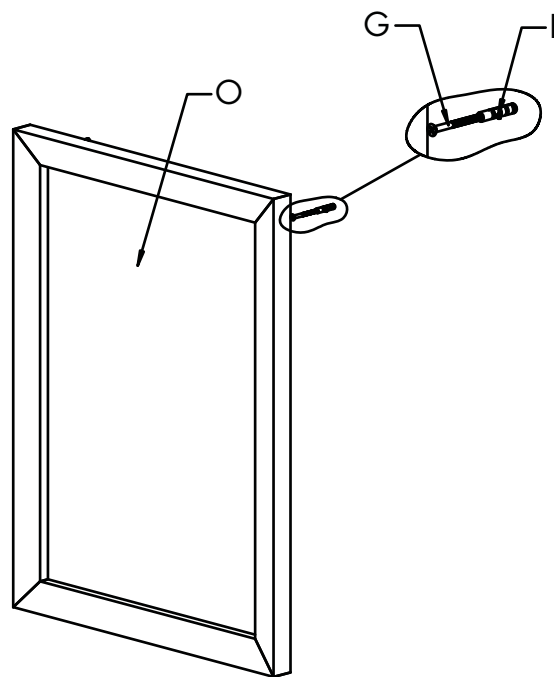


Figure 10



INSTALLATION INSTRUCTIONS

• STEP #11

- Assemble **Side Unit Top Assembly (P)**, **Glass Shelf (T)** and **Side Unit Top Support (Q)** using **Socket Cap Screw (U)**. Refer to Figure 11.
- Assemble **Side Unit Top Support** to **Side Unit Lower Support (R)** by using **Socket Cap Screw** making sure to insert **Glass Shelf** between **Supports**. Refer to Figure 11a.
- To complete **Side Unit** assemble **Side Unit Bottom Assembly (S)**, **Glass Shelf** and **Side Unit Lower Support** using **Socket Cap Screw**. Refer to Figure 11b.

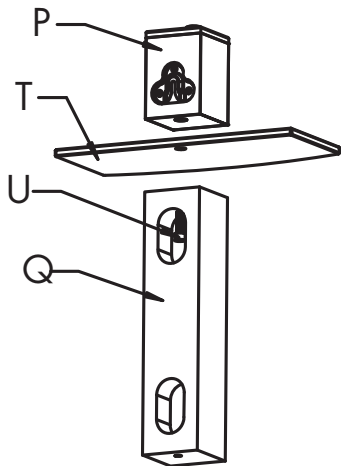


Figure 11

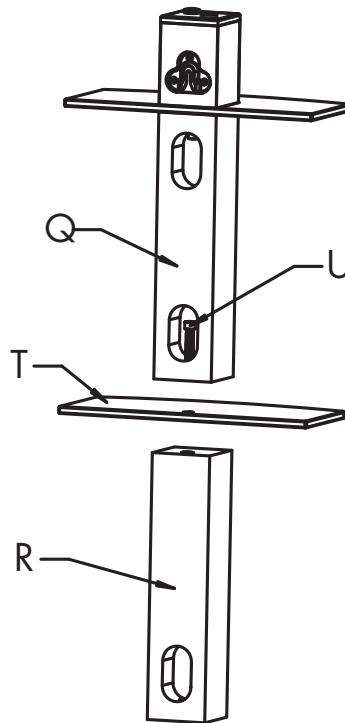


Figure 11a

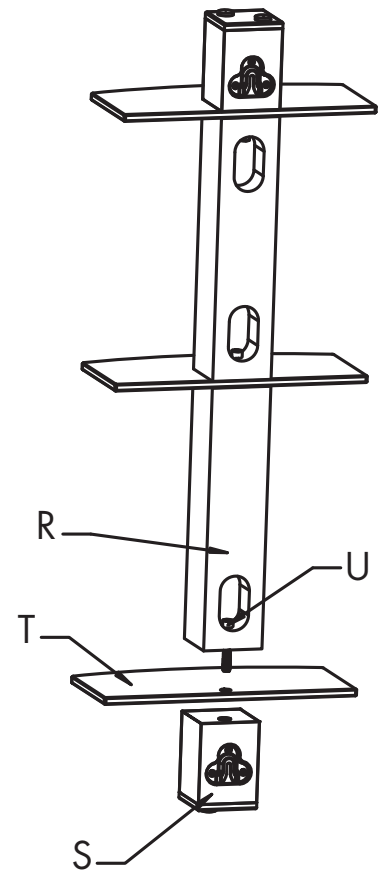


Figure 11b



INSTALLATION INSTRUCTIONS

• STEP #12

- Prepare wall by drilling, then inserting **Anchors** at desired mounting location of Side Unit.
- Refer to Roughing-in Dimensions for Side Unit measurements.
- Attach **Screw (G)** to **Anchor** leaving approximately 3/8" (0.95 cm) of screw revealed.
- Hang **Side Unit** as shown.
- Refer to Figure 12 and 13.
- Refer to Figure 14 for finish unit.

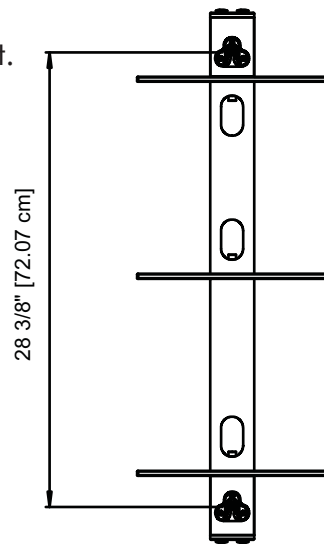


Figure 12

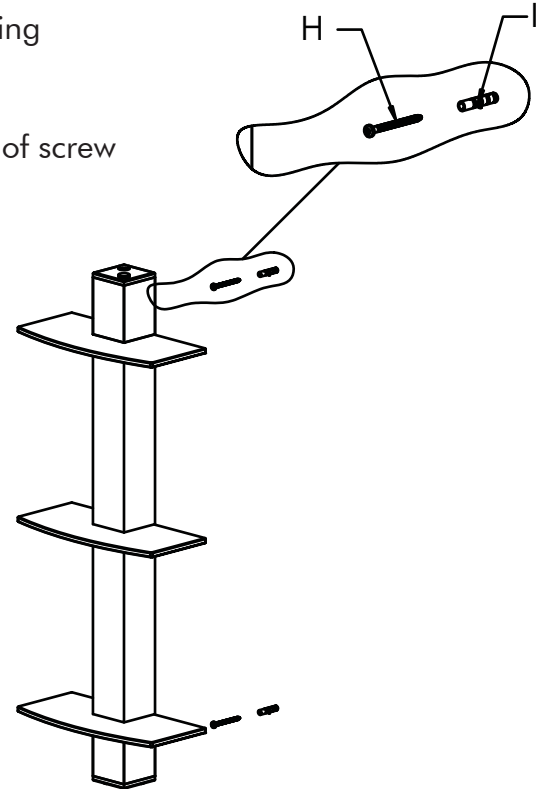


Figure 13

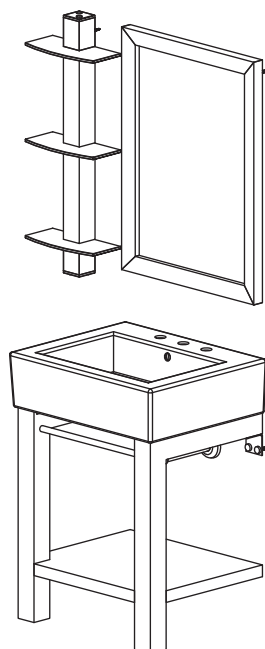


Figure 14



CARE AND CLEANING

- **DO NOT OVERTIGHTEN DRAIN.** Overtightening of the drain can damage your DECOLAV® product.
- **DO NOT** clean the product with Detergents, Acid, Abrasives, Harsh Cleaners or a cloth with a coarse surface (S.O.S.® Pads, Scotch Brite® Pads). This is good advice for any plumbing fixture regardless of material.
- **DO NOT** leave any cleaning agents other than water on your DECOLAV® product.
- **DO NOT** allow your DECOLAV® product to unnecessarily encounter other solid objects.
- **DO** clean your DECOLAV® product. Wipe with a damp cloth and dry with a soft cloth. If necessary, a general mild soap and water solution can be used. Use a mild furniture polish to clean wood frame.
- **DO** clean your DECOLAV® mirror. Wipe with a glass cleaner and a clean soft cloth. Use a mild furniture polish to clean wood frame.

FULL LIFETIME WARRANTY

Any Deco Lav, Inc. ("DECOLAV") product(s), sold after January 1, 2006, will be warranted to the original end consumer to be free of true defect(s) in material and workmanship for life of the product(s) subject to the following restrictions:

- DECOLAV is notified promptly in writing, via fax or mail, by the Retail/Wholesale Purchaser upon discovery of any alleged defect(s) in the product(s), including a detailed description of the alleged defect(s).
- Proof of purchase (original sales receipt) from the original end consumer must be made available to DECOLAV for all warranty claims.
- Authorized DECOLAV personnel has inspected the product(s) and determined the product(s) to have true manufacturing defect(s).
- Such product(s) are returned to DECOLAV (unless other arrangements satisfactory to DECOLAV have been agreed upon).

This Lifetime Warranty is non-transferable and applies only to the original end consumer and to the original installation of the product(s). This Lifetime Warranty is void if the product(s) has been moved from its initial installation site or if ownership of the product(s) has changed.

THIS LIFETIME WARRANTY DOES NOT COVER ANY DAMAGES CAUSED BY SHIPPING, MISUSE, ABUSE, ACCIDENTS, NEGLIGENCE, UNAUTHORIZED REPAIRS OR ALTERATIONS, MODIFICATIONS, USE OF OTHER THAN GENUINE DECOLAV REPLACEMENT PARTS, DIRT, LIME SCALE, AND OTHER MINERALS, SCUFFS AND SCRATCHES, EXPOSURE TO MARINE AREAS, ABNORMAL USAGE, AND NORMAL WEAR AND TEAR. ANY IMPROPER INSTALLATION, IMPROPER MAINTENANCE, IMPROPER HANDLING, IMPROPER AND CONTRARY USES NOT STATED WITHIN INSTRUCTIONS, AND ALL ACTS BEYOND DECOLAV'S CONTROL WILL VOID THIS LIFETIME WARRANTY.

DECOLAV's product(s) are produced from natural raw materials and there is a slight color variance. This is **NOT** a manufacturing defect(s) and will not be covered under this Lifetime Warranty.

This Lifetime Warranty does not apply to local building code compliance. Since local building codes vary considerably, the original end consumer of the product(s) should check with a local building or plumbing contractor to ensure local code compliance before installation.

This Lifetime Warranty does not cover any mechanical pieces of any DECOLAV product(s). These mechanical pieces will be covered under a One Year Warranty, based on the same criteria as this Lifetime Warranty, from the date of the initial purchase.

Upon satisfaction of each of the foregoing conditions and requirements, DECOLAV shall, at its option, either repair or replace such defective product(s). DECOLAV shall return any product(s) repaired or replaced under this Lifetime Warranty to the original end consumer transportation prepaid. All Closeout/Discontinued product(s), at time of claim, will either be repaired or replaced with a comparable item.

DECOLAV's option to repair or replace the product(s) under this Lifetime Warranty does not cover any cost of labor to remove or install the DECOLAV product, usage and delay time, or other costs of removal or installation whatsoever. **IN NO EVENT WILL DECOLAV BE LIABLE FOR THE COST OF REPAIR OR REPLACEMENT OF ANY INSTALLATION MATERIALS, INCLUDING BUT NOT LIMITED TO, TILES, MARBLE, ETC.**

This Lifetime Warranty does not cover any liability for consequential or incidental damages, all of which are hereby expressly disclaimed, or the extension beyond the duration of this Lifetime Warranty. Some states do not allow the exclusion or limitation of incidental or consequential damages, so the above limitation or exclusion may not apply to you.

THE WARRANTIES HEREIN (A) ARE EXCLUSIVE AND STATED IN LIEU OF ALL OTHER WARRANTIES, WHETHER EXPRESS, STATUTORY, OR IMPLIED, INCLUDING BUT NOT LIMITED TO THE WARRANTIES OF MERCHANTABILITY AND FITNESS FOR AN INTENDED PURPOSE, ALL OF WHICH ARE HEREBY EXPRESSLY DISCLAIMED; (B) NEITHER ASSUME NOR AUTHORIZE PURCHASER NOR ANY OTHER PARTY TO ASSUME FOR DECOLAV ANY OTHER LIABILITIES IN CONNECTION WITH THE MANUFACTURE OR SALE OF PRODUCTS; AND (C) ARE SUBJECT TO THE LIMITATIONS ON DAMAGES AS SET FORTH ABOVE