



PRODUCT DESCRIPTION

1220 Series 18 Gauge 16.25" Round Stainless Steel Lavatory with Overflow

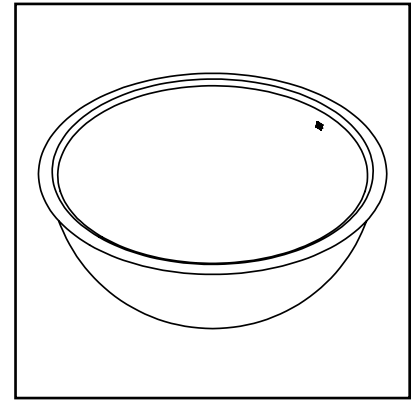
- Simply Stainless™ Collection
- Drop-In or Undermount Applications
- High Quality 18 Gauge Stainless Steel
- Includes Overflow
- Available in Polished or Brushed Finishes

PRODUCT MEASUREMENTS

- Diameter: 16.25"
- Height: 6.75"
- Inside Bowl Depth: 6.13"

RECOMMENDED ACCESSORIES

- DECOLAV® 9297 Push Button Closing Umbrella Drain with Overflow
- DECOLAV® 9295 Grid Drain with Overflow
- DECOLAV® 9100/9102 Decorative Bottle Trap



DROP-IN LAVATORY



OVERFLOW INCLUDES OVERFLOW



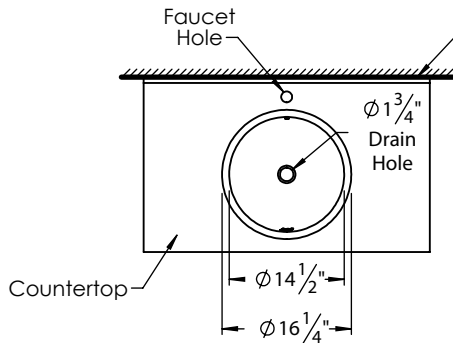
UNDERMOUNT LAVATORY



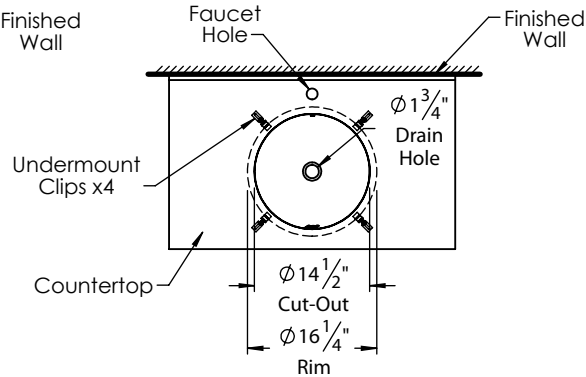
18 GAUGE

ROUGHING-IN DIMENSIONS

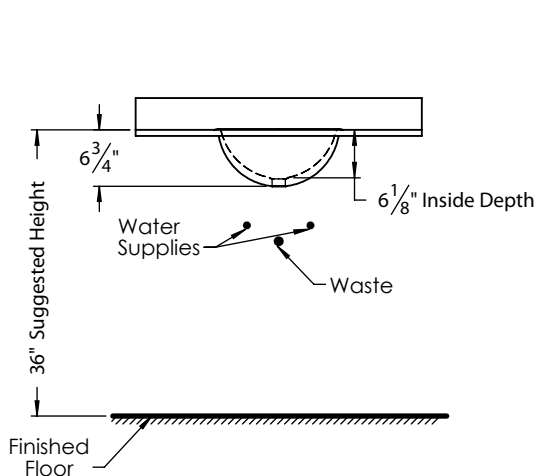
Please Note: All drawings contain the necessary measurements which are subject to standard industry tolerances. They are stated in inches and are non-binding. Exact measurements, in particular for customized installation scenarios, can only be taken from the finished product.



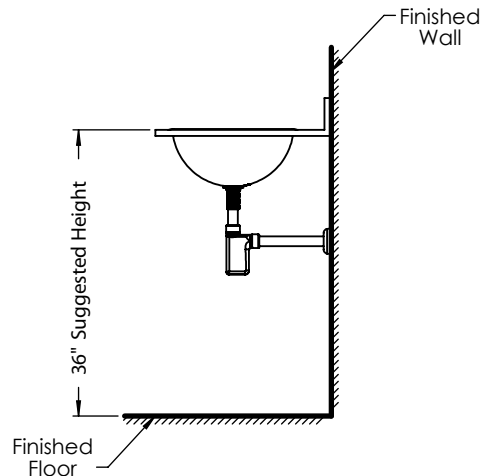
TOP VIEW
DROP-IN APPLICATION



TOP VIEW
UNDERMOUNT APPLICATION



FRONT VIEW



SIDE VIEW